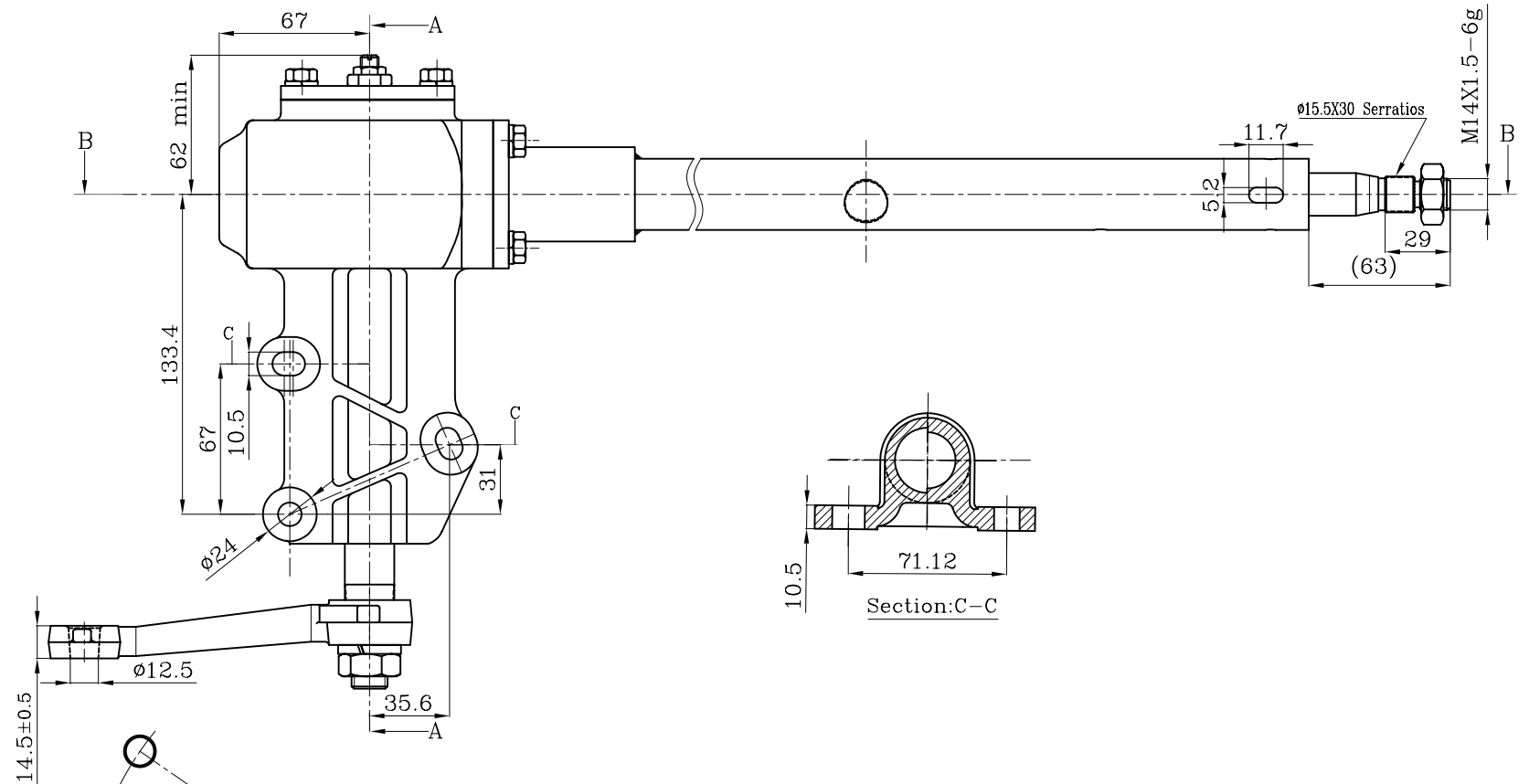
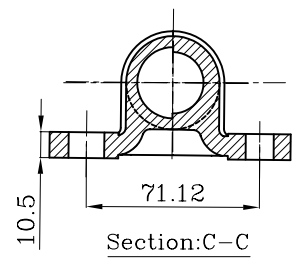


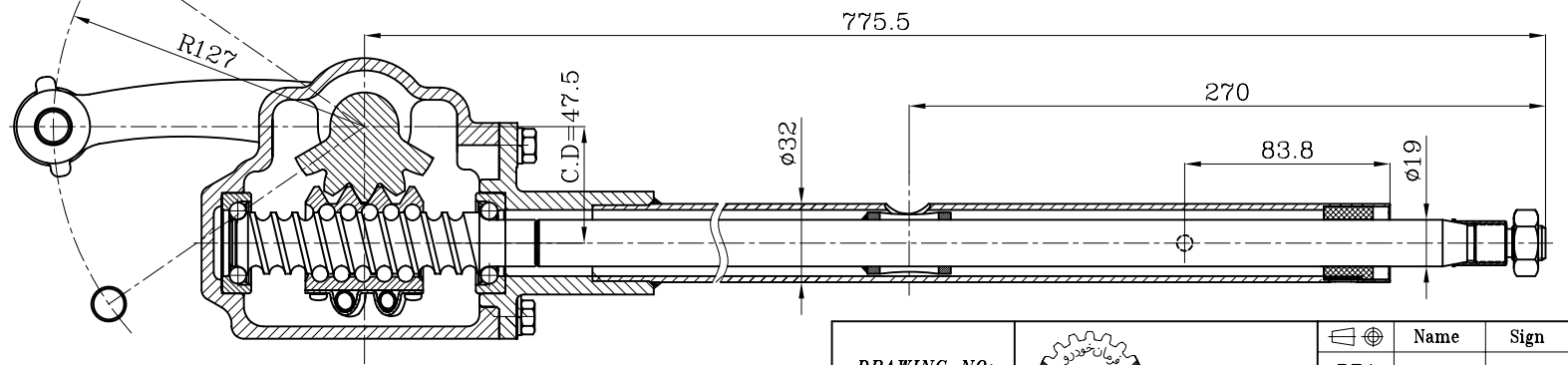
Section:A-A




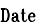


Section:B-B



Section:C-C



DRAWING NO: 61-00000	 F.K.S Co.	 Name	 Sign	 Date	
		DRA	Heidari		14/9/10
		CHD	Boroujerdi		
		APD	Boroujerdi		
Title: Paykan Steering Box		Material: --	Scale: --		
		Weight: --	Number: 1		
		Thickness: --	Hardness: --		