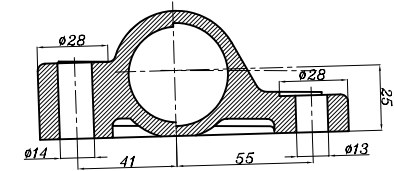
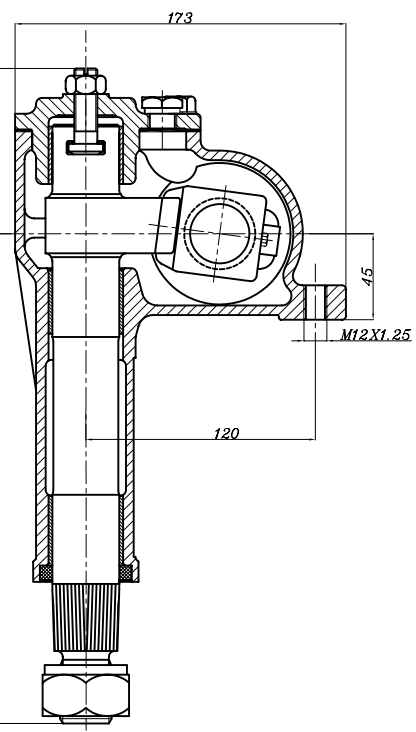
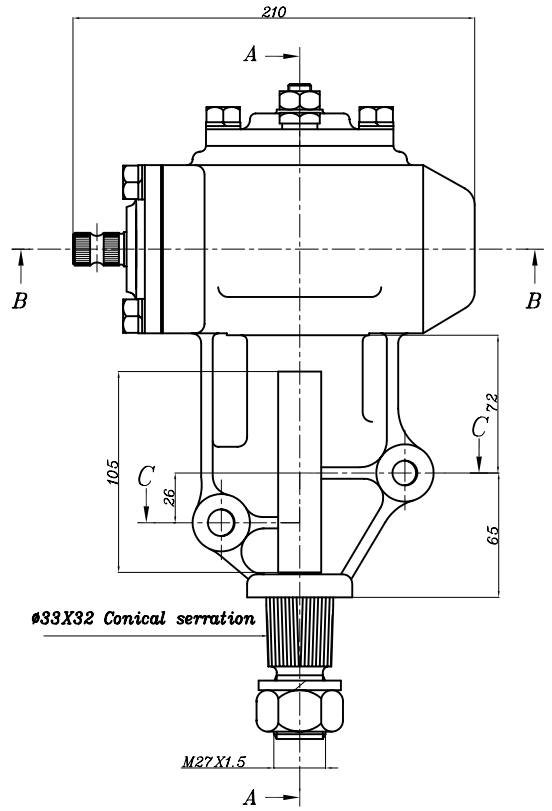


SEC:B-B



SEC:C-C



SEC:A-A

<p>DRAWING NO: 41-0000</p>	<p>F.K.S Co.</p>	Name	Sign	Date
		CHD Boroujerdi	APD Boroujerdi	14/9/10
		Material: --	Scale: --	
<p>Title: Nissan LX Steering Box</p>		Weight: --	Number: 1	
		Thickness: --	Hardness: --	